

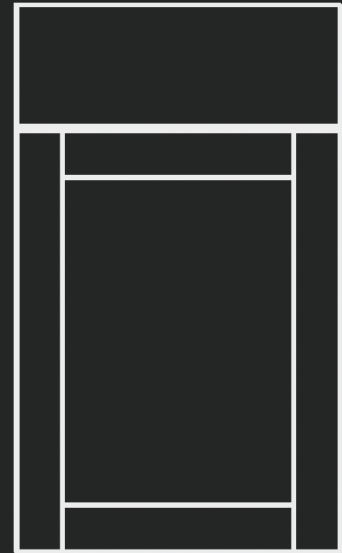


**HARMONY & KEEN**



# DOOR STYLE.

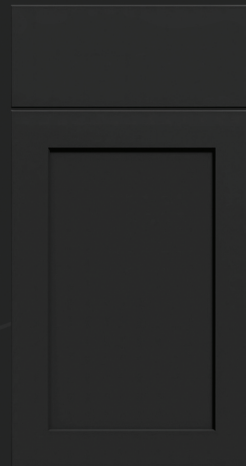
STYLE	COLOR
Shaker Style	White
Shaker Style	Grey
Shaker Style	Black
Slim Shaker Style	White



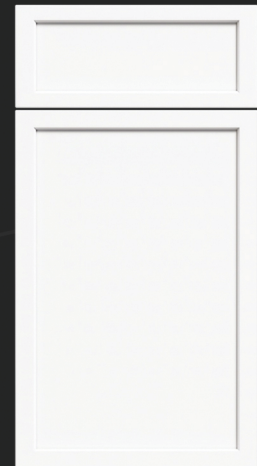
Shaker white



Shaker Grey



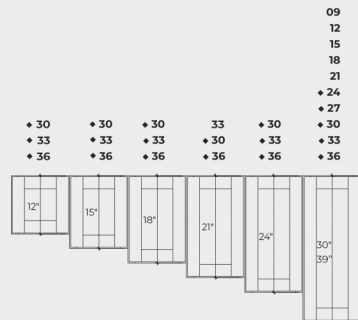
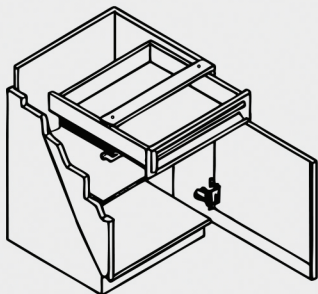
Shaker Black



Slim Shaker White

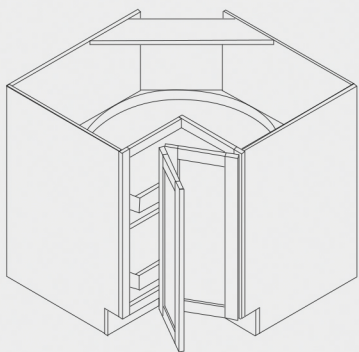
# HEIGHT ALIGNMENT.

Dimension Guide 84" 93"

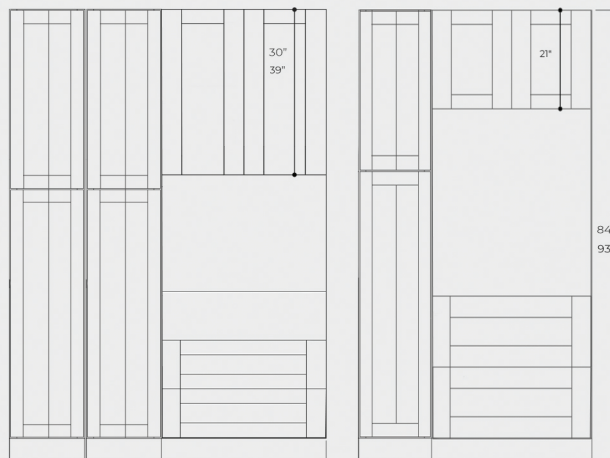
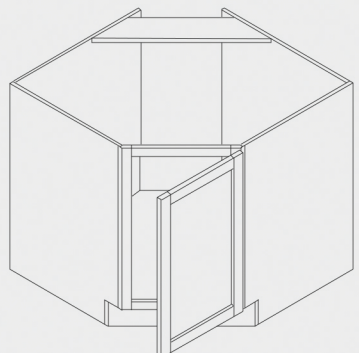


- |       |      |      |      |       |        |       |         |
|-------|------|------|------|-------|--------|-------|---------|
| SD 09 | B 09 | B 24 | B 33 | DB 12 | FSB 24 | SB 24 | B 27-MW |
| SD 12 | B 12 | B 27 | B 36 | DB 15 | FSB 27 | SB 27 | B 30-MW |
|       | B 15 | B 30 |      | DB 18 | FSB 30 | SB 30 |         |
|       | B 18 |      |      | DB 21 | FSB 33 | SB 33 |         |
|       | B 21 |      |      | DB 24 | FSB 36 | SB 36 |         |
|       |      |      |      | DB 27 |        |       |         |
|       |      |      |      | DB 30 |        |       |         |
|       |      |      |      | DB 33 |        |       |         |
|       |      |      |      | DB 36 |        |       |         |

BLS33 - L/R  
BLS36 - L/R



BDC36 - L/R



PC2484  
PC3084  
PC2493

PMD3084  
PMD3093

PC1584  
PC1884  
PC2184  
PC1593  
PC1893  
PC2193

DO3084  
DO3384  
DO3093  
DO3393



# VANITY APPLICATIONS.



VDB 12	VSB 24	VSB 30-R	VSB 36-R	VSB48
VDB 15	VSB 30	VSB 30-L	VSB 36-L	
VDB 18				
VDB 24				

# CONSTRUCTION SPECIFICATIONS

## A - Doors/Drawer Front

Semi full overlay  $\frac{3}{4}$ " reveal and constructed from 5-piece solid wood  $\frac{3}{4}$ " thick and  $3\frac{1}{8}$ " wide stiles and rails, and MDF door center panel Shaker style white, grey and black color options are available.

## B - Glides

Full extension, undermount, soft close drawer glides.

## C - Hinges

Concealed 6-way adjustable soft close door hinges.

## D - Drawer Box

4 and 7" interior drawer height,  $\frac{3}{4}$ " solid wood front, back, and sides with dovetail construction and drawer bottoms are  $\frac{3}{8}$ " plywood.

## E - Side Panels

Constructed from  $\frac{3}{4}$ " plywood UV clear-coated interior and painted exterior, dovetailed into face frame.

## F - Top/Bottom Panels

Constructed from  $\frac{3}{4}$ " plywood with UV clear-coated on both sides.

## G - Back Panel

Constructed from  $\frac{3}{4}$ " plywood with UV clear-coated on both sides.

## H - Face Frames

Constructed from  $\frac{3}{4}$ " x  $1\frac{1}{2}$ " solid wood with mortise and tenon joints.

## I - Shelves

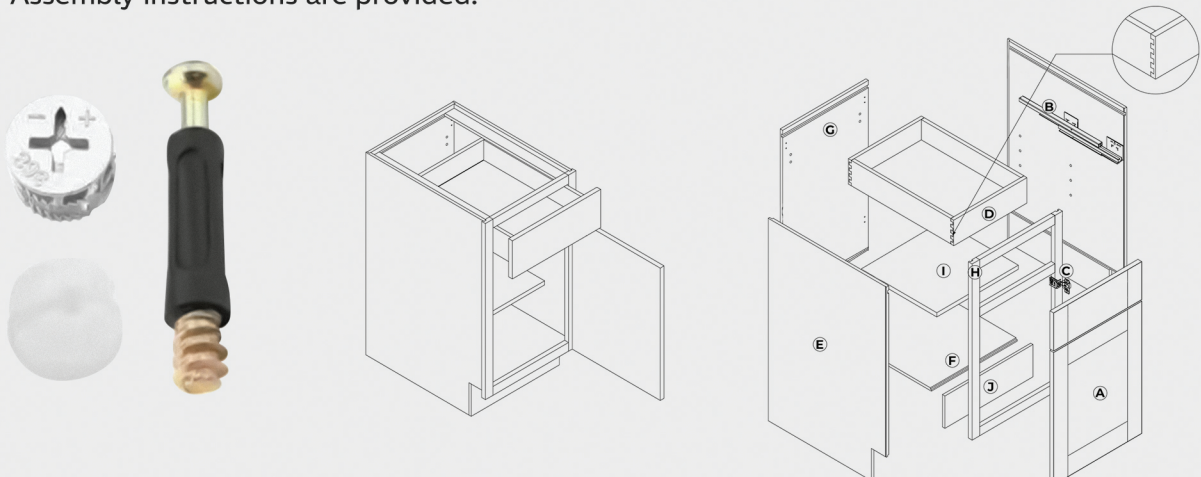
Constructed from  $\frac{3}{4}$ " plywood with UV clear-coated, base cabinet has 20" full deep shelf and adjustable, front edges have a color matched edge-banding applied.

## J - Toe Kick

Base cabinets come with own finished tow kick and if needed TK8 toe kick must be ordered. ( $\frac{1}{4}$ " and  $\frac{3}{4}$ " toe kick options available.)

## K - Cam lock nobbs and screws

Assembly instructions are provided.





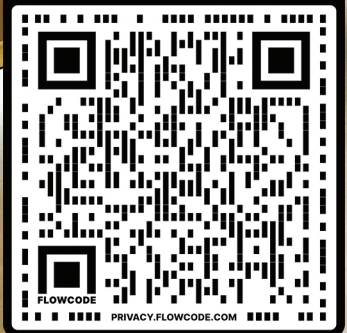
# HARMONY & KEEN

Looking for a modern alternative? Ask us about our Flat Panel collection!

[hkgrouppusa.com](http://hkgrouppusa.com) [f @hkgrouppusa](https://www.facebook.com/hkgrouppusa)



FOLLOW US ON SOCIAL MEDIA



[1383 PICCARD DR, ROCKVILLE, MD](https://www.google.com/maps/place/1383+Piccard+Dr,+Rockville,+MD)

[\(301\) 838-0822](tel:3018380822) [sales@hkgrouppusa.com](mailto:sales@hkgrouppusa.com)

[800 OLD COUNTRY ROAD, WESTBURY, NY](https://www.google.com/maps/place/800+Old+Country+Road,+Westbury,+NY)

[\(646\) 639-1335](tel:6466391335) [sales.ny@hkgrouppusa.com](mailto:sales.ny@hkgrouppusa.com)